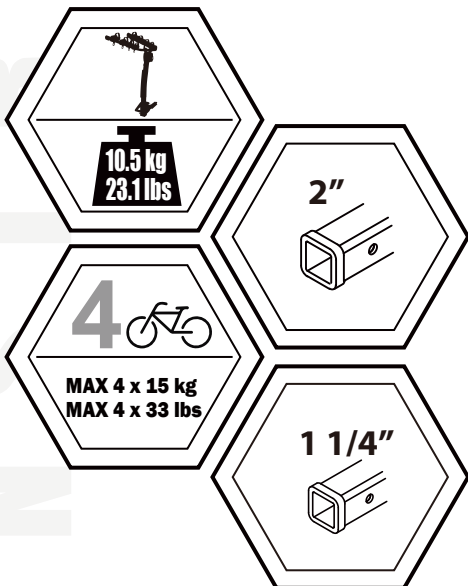
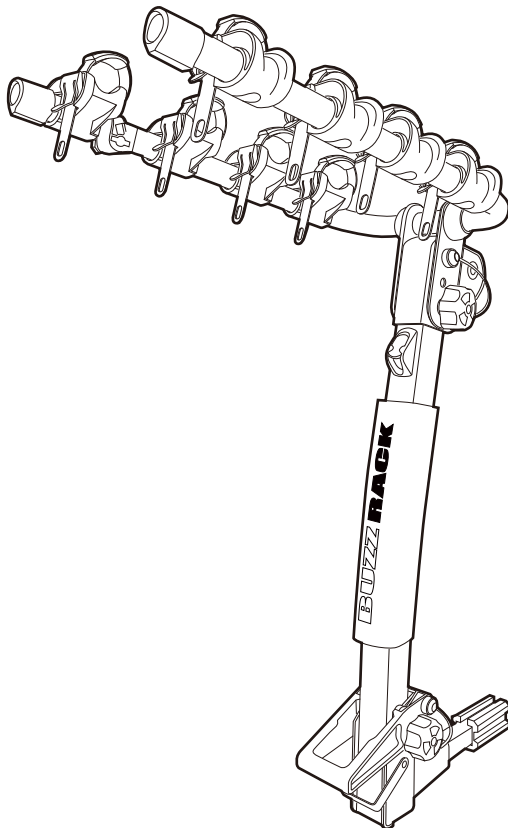
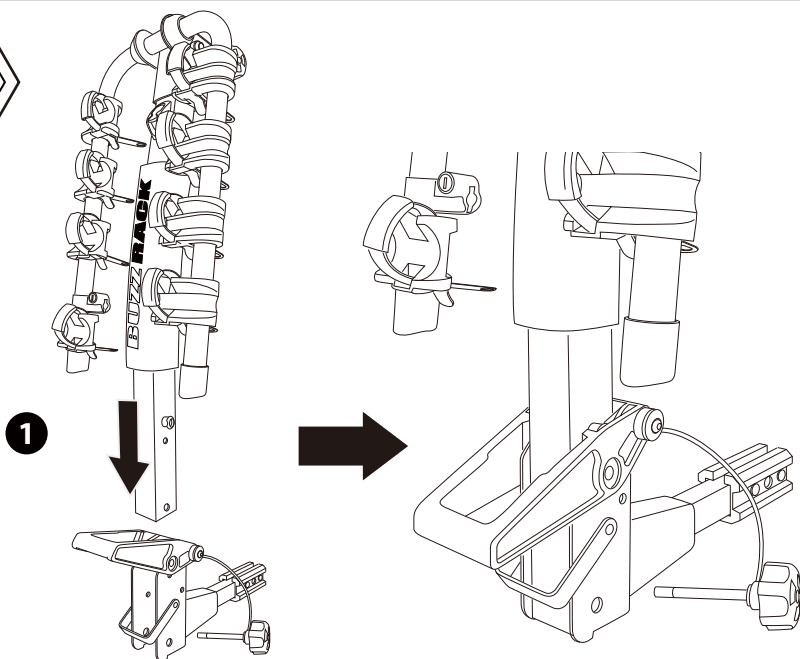
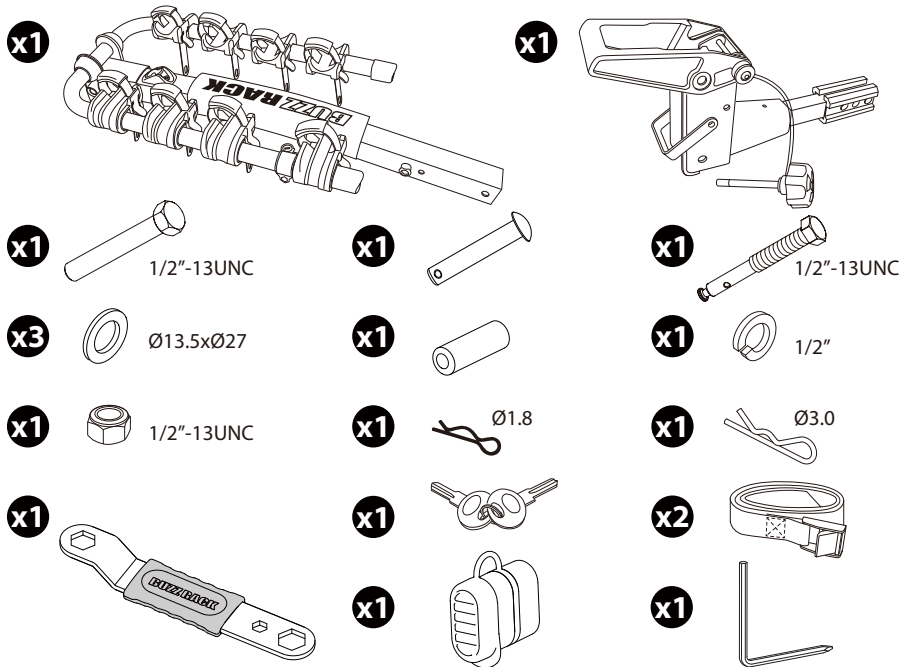


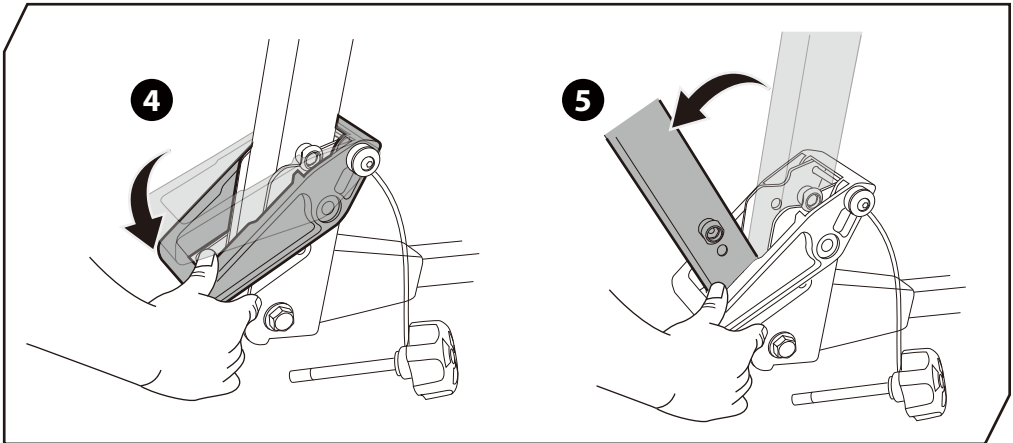
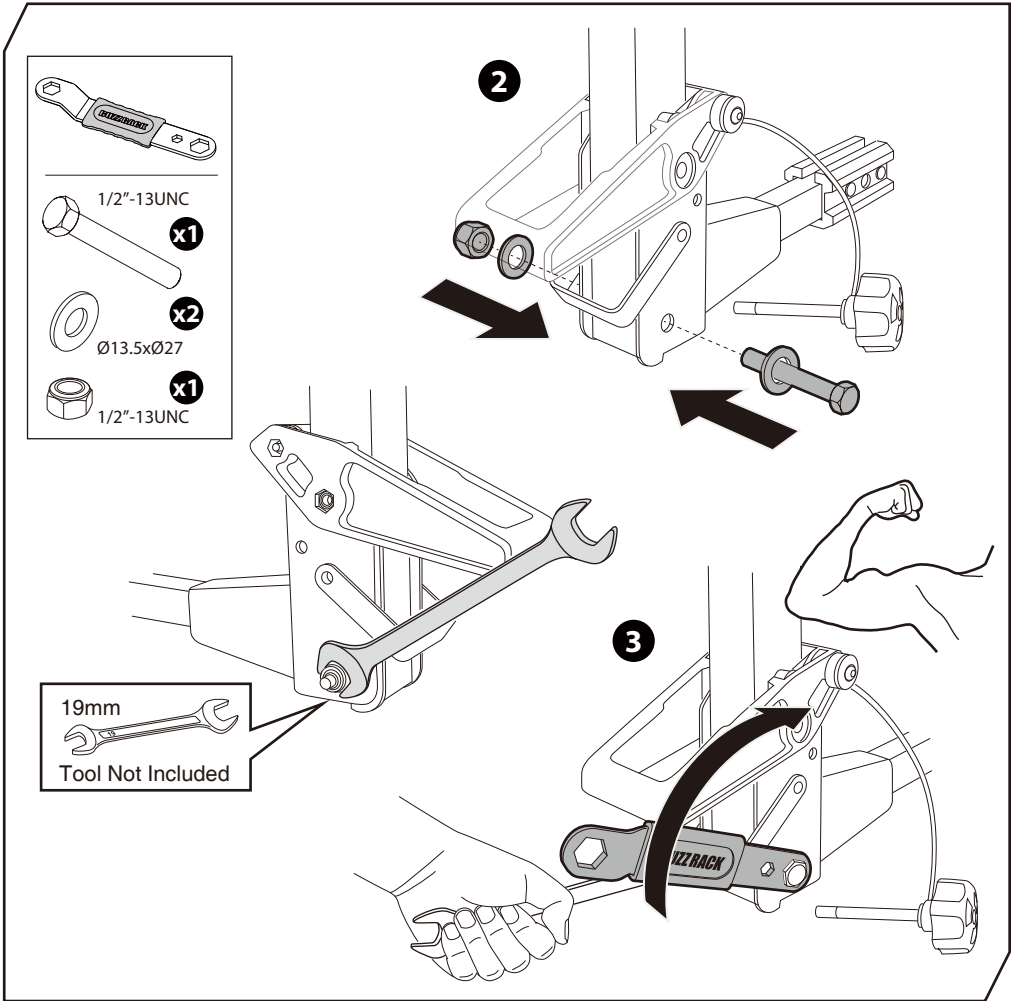
# BUZZ RACK

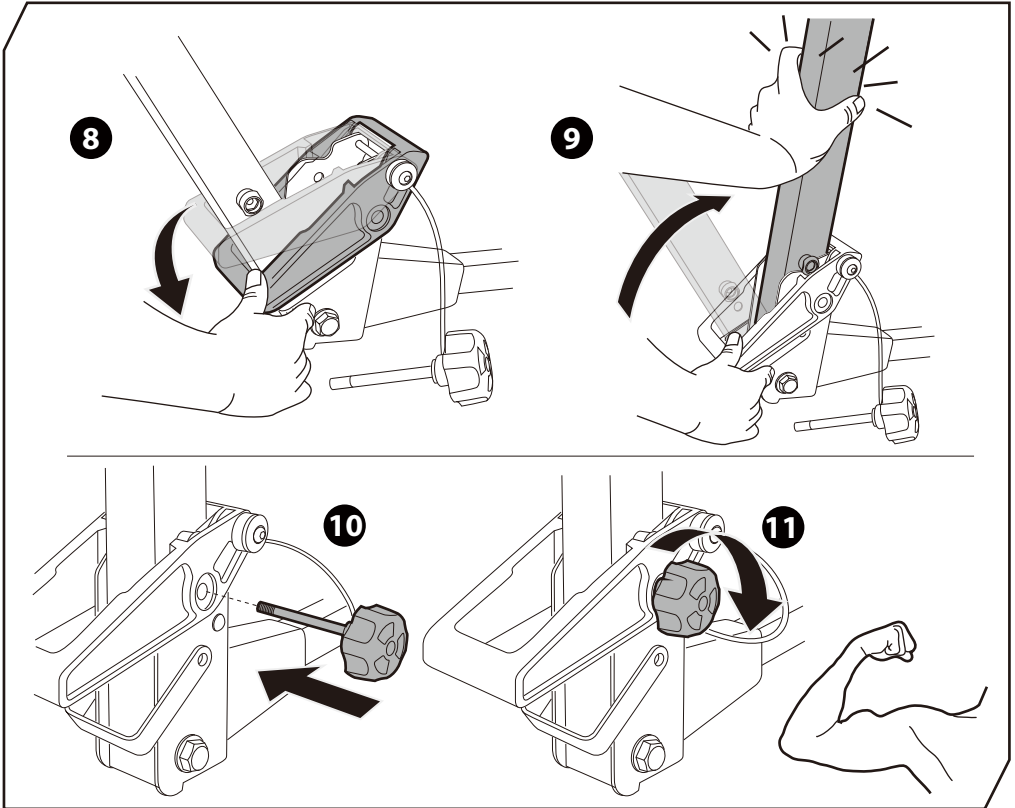
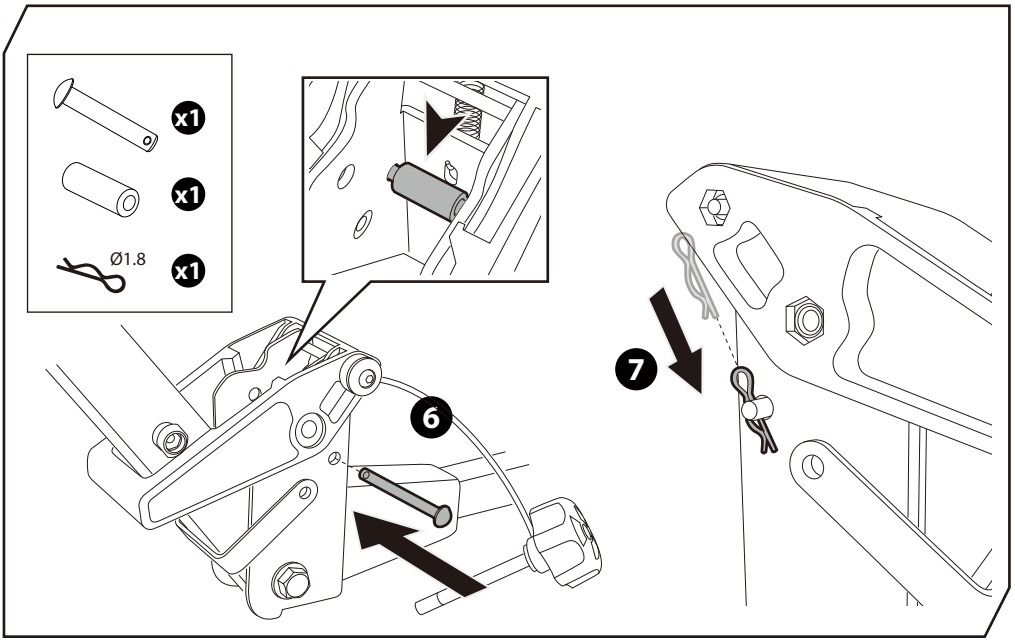


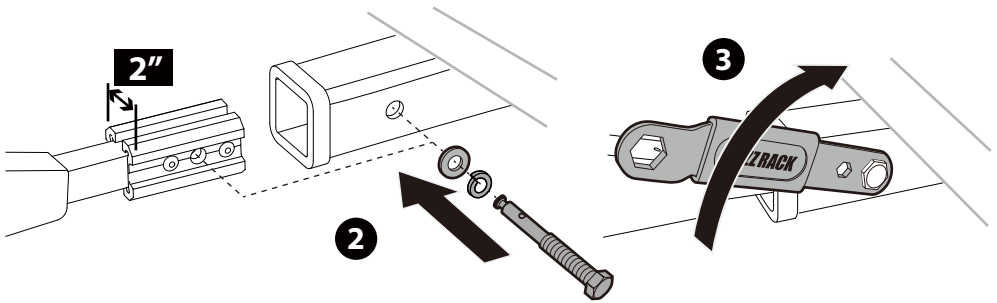
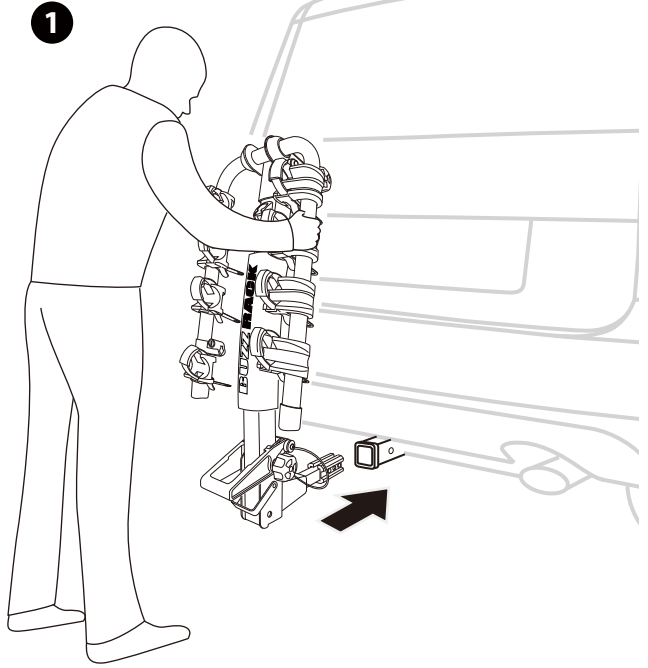
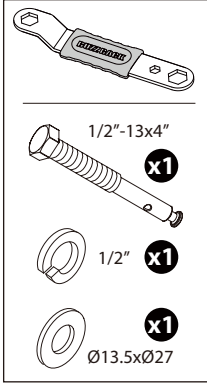
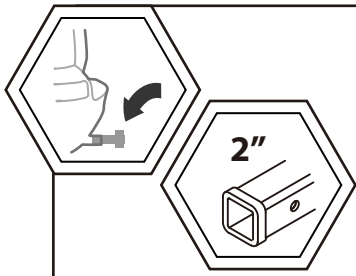
## BUFFALO H4 HOTSHOT

# PART LIST

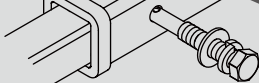




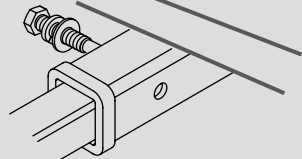


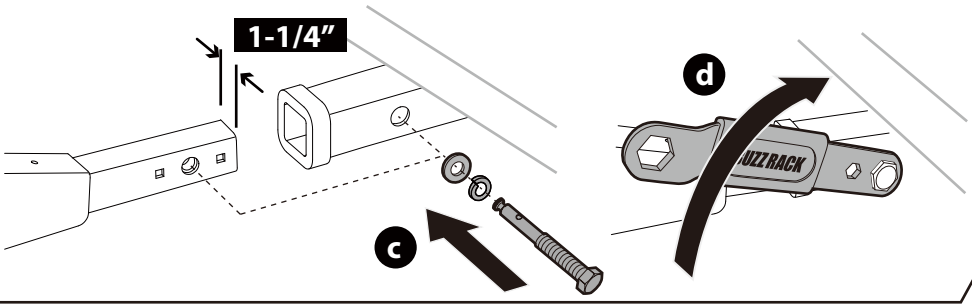
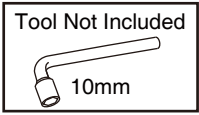
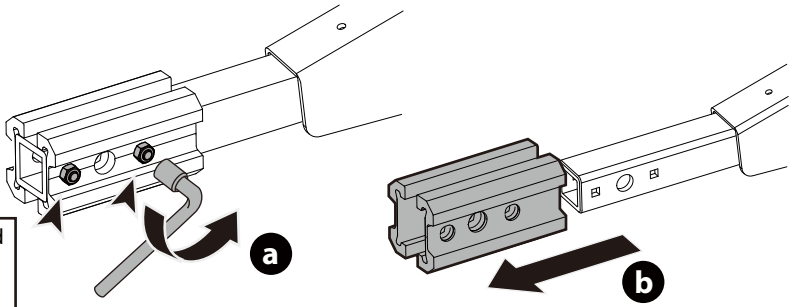
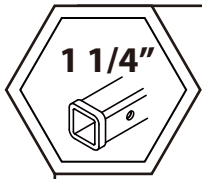


OK

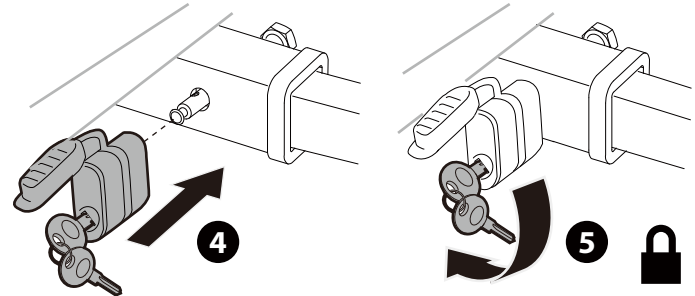
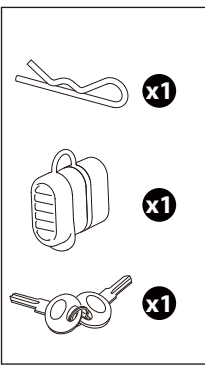


~~OK~~

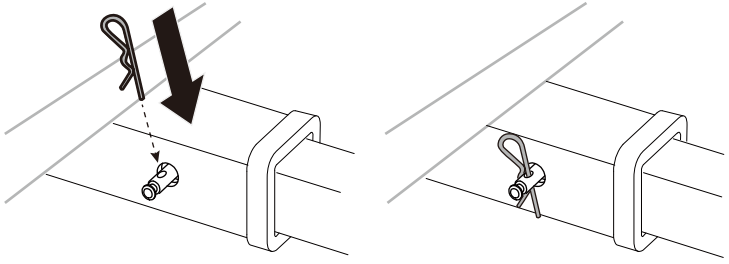


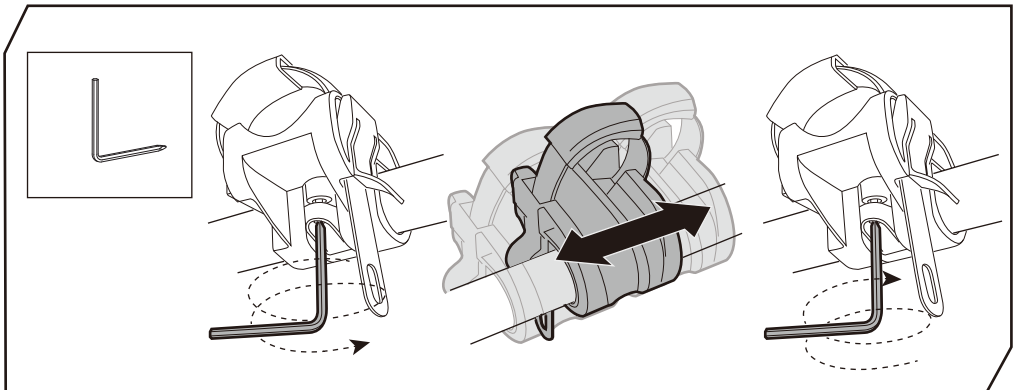
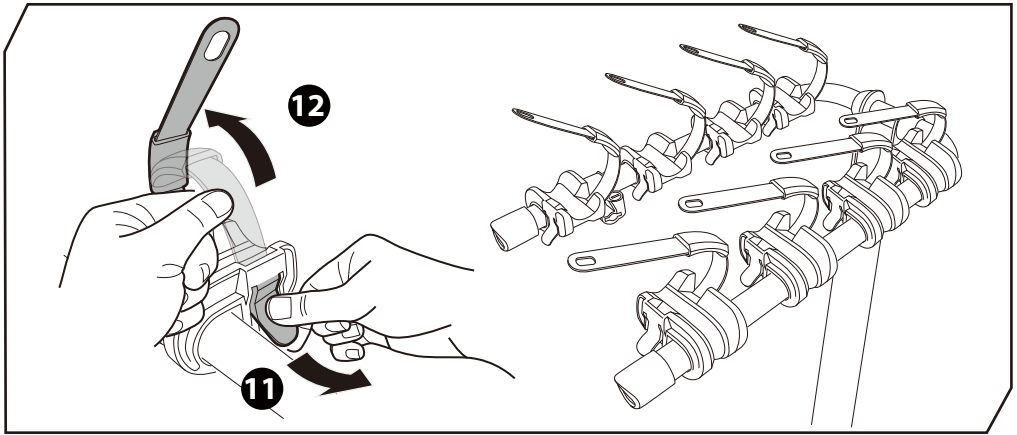
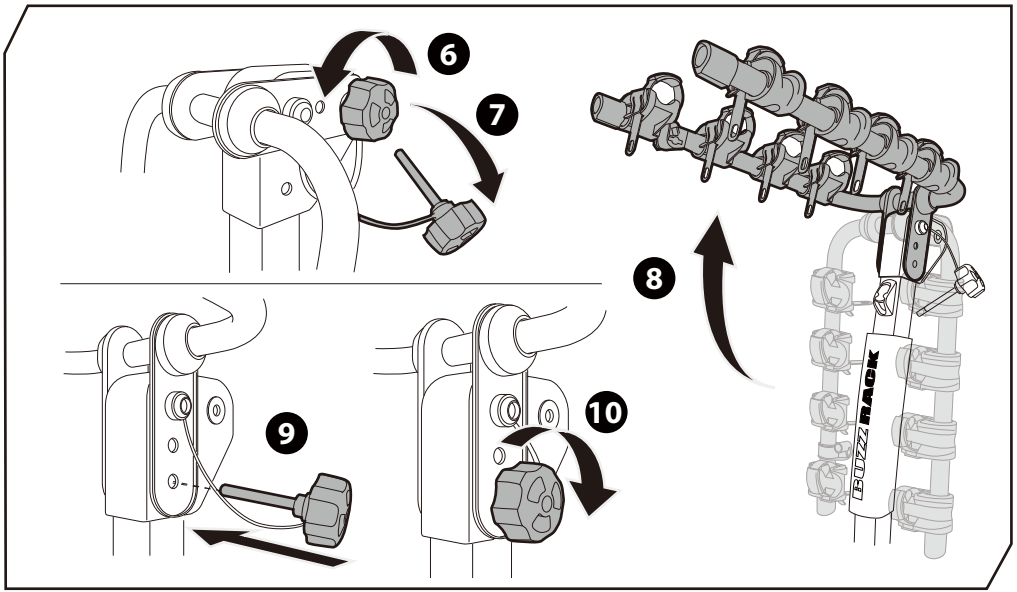


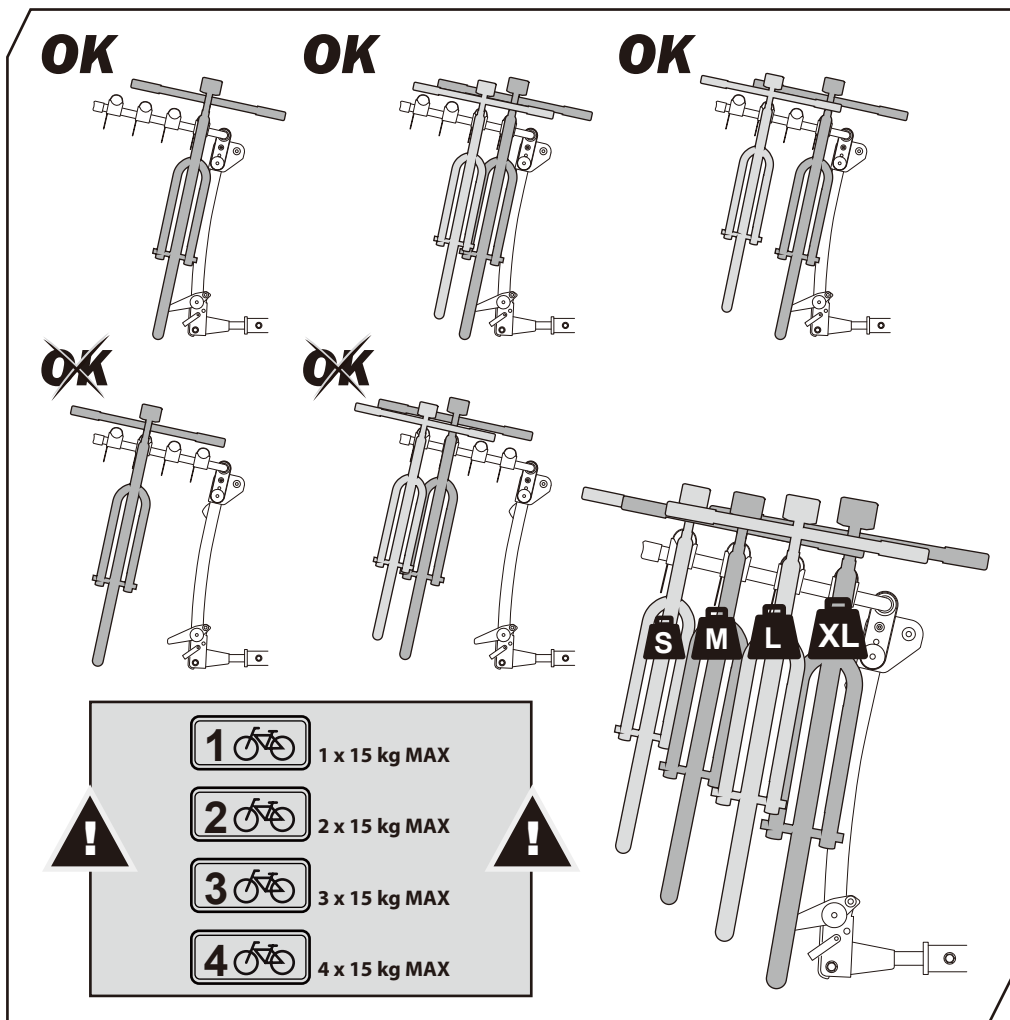
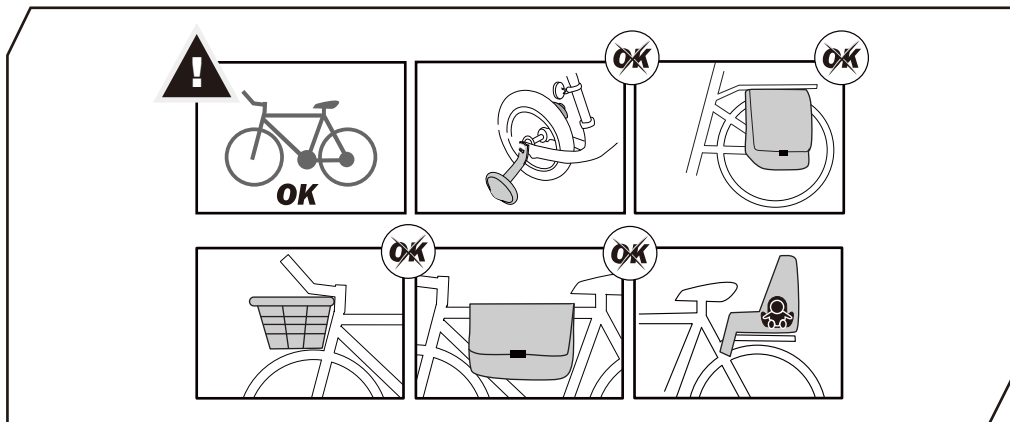
option 1



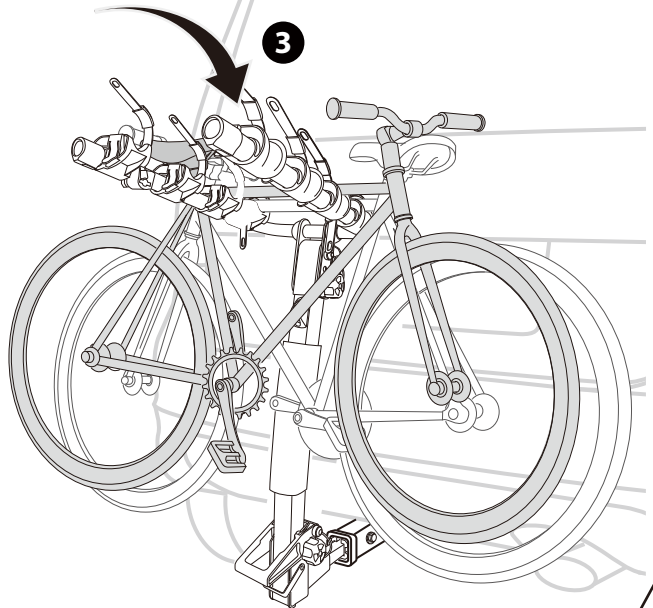
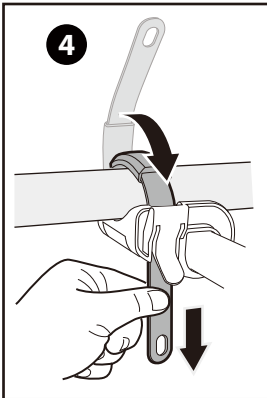
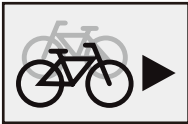
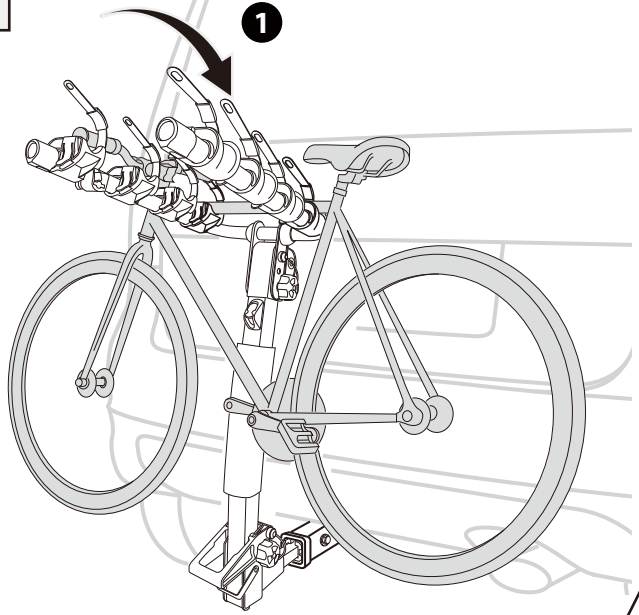
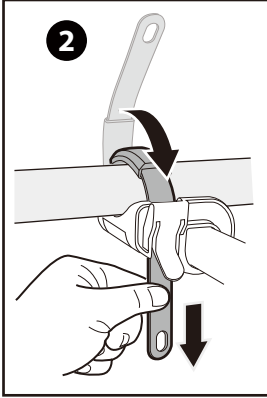
option 2

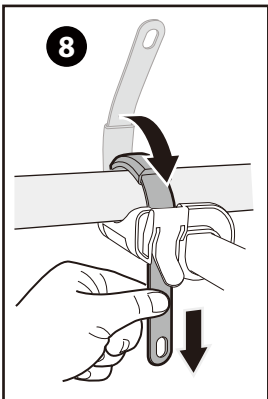
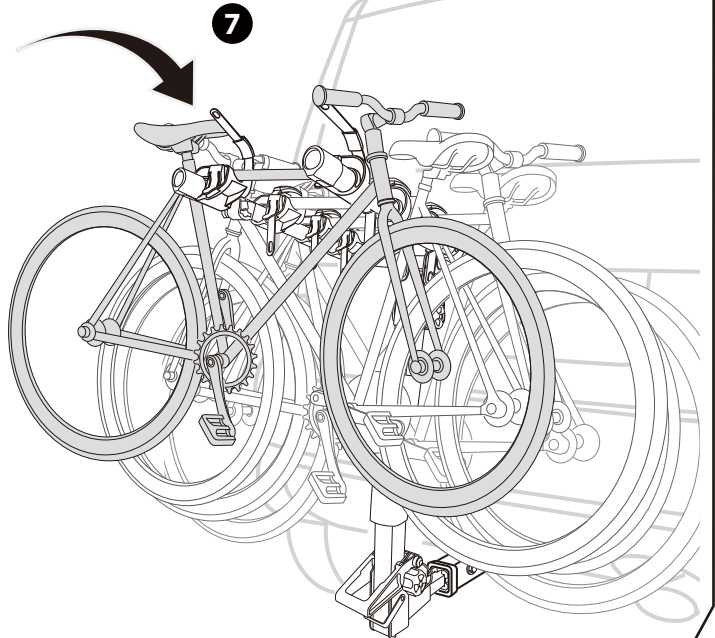
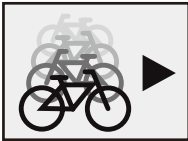
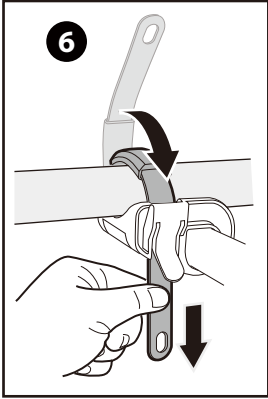
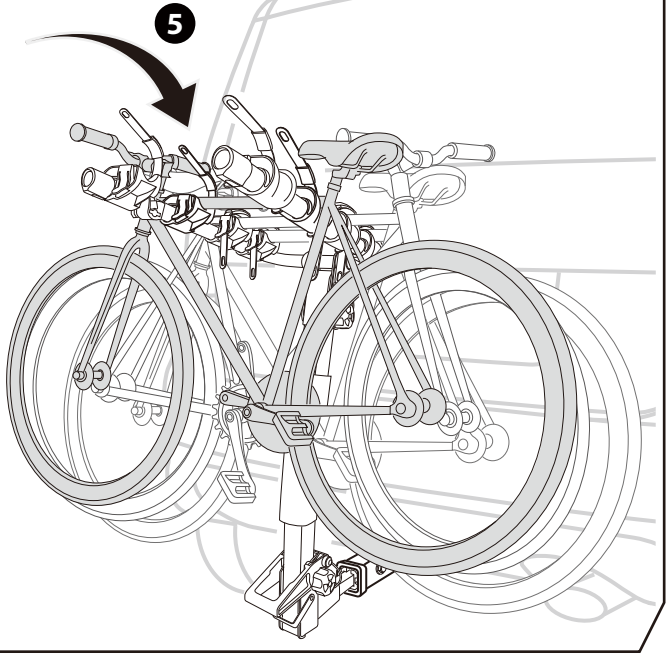
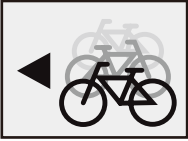






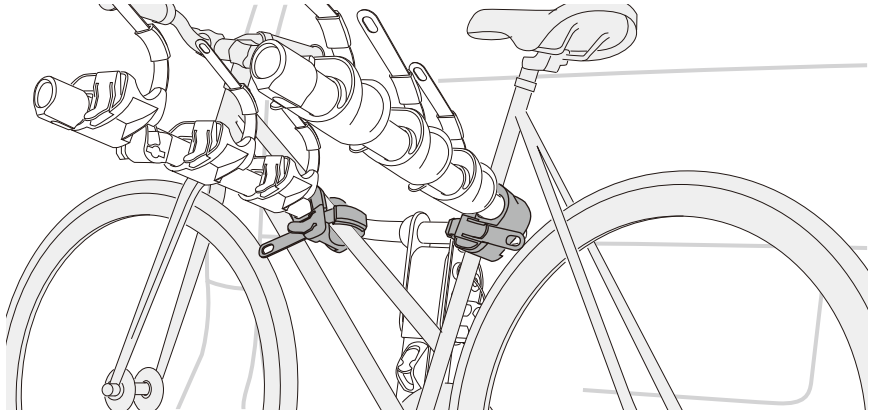
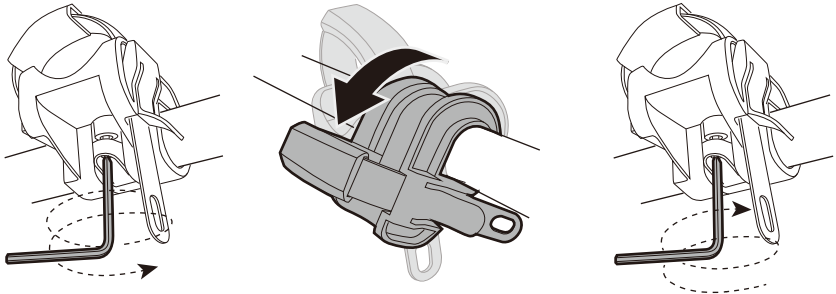








option 1

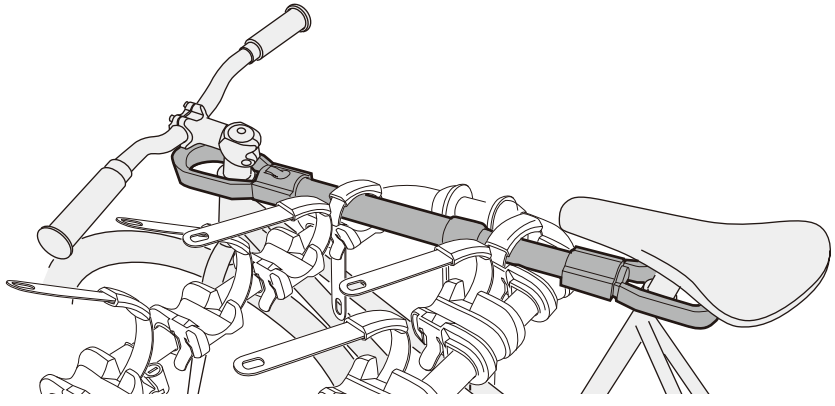


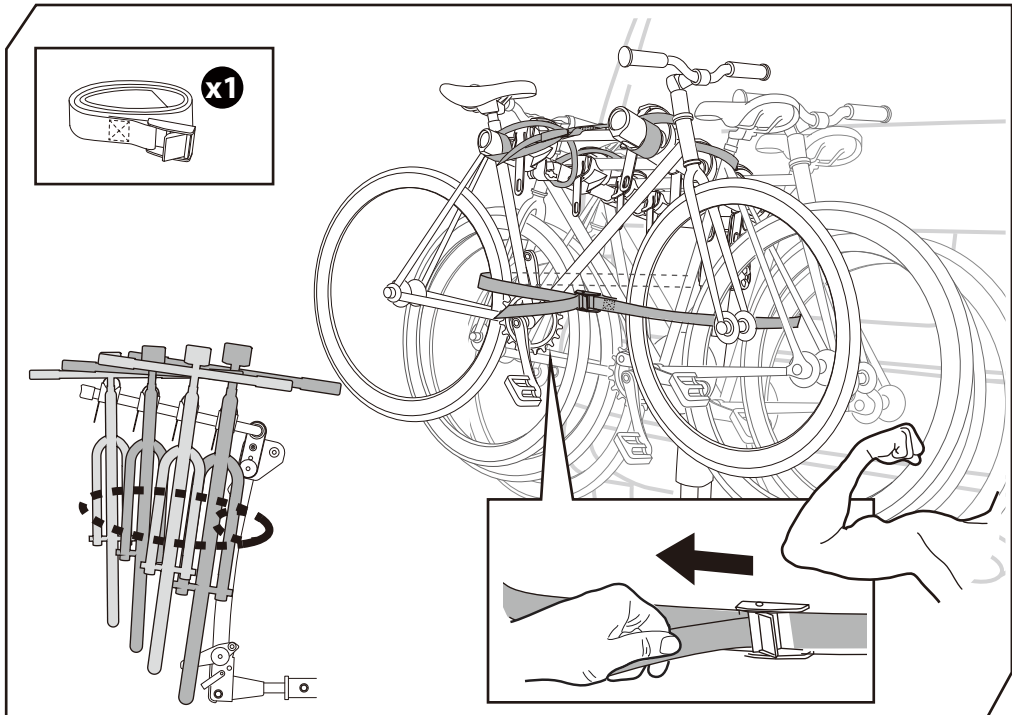
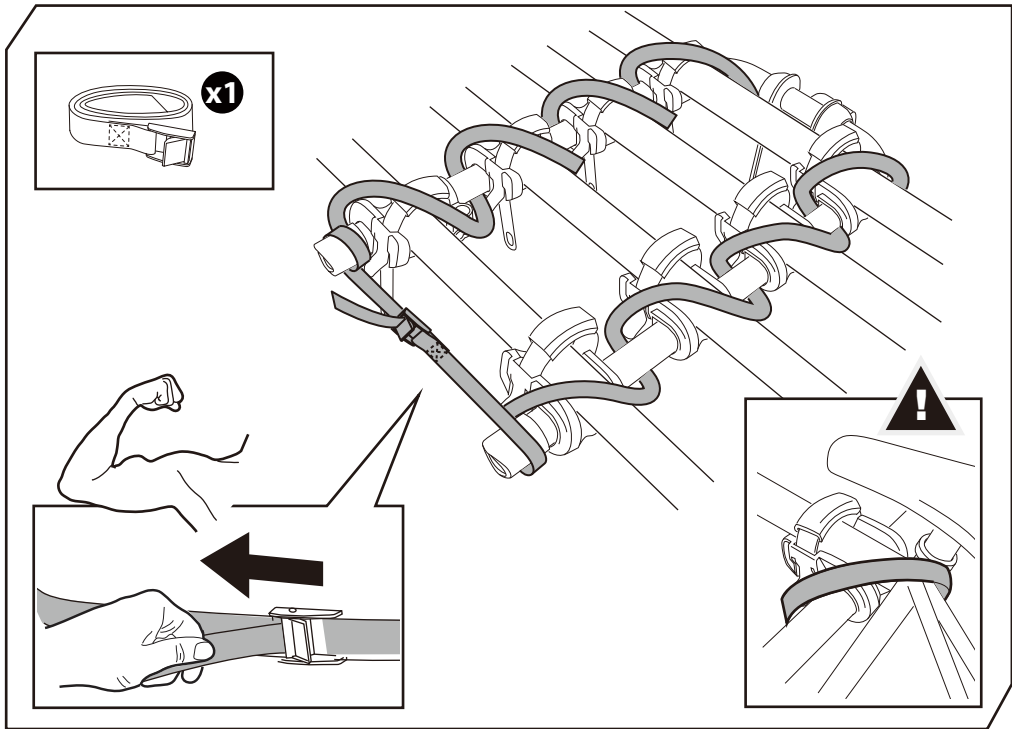
option 2

### BUZZGRIP



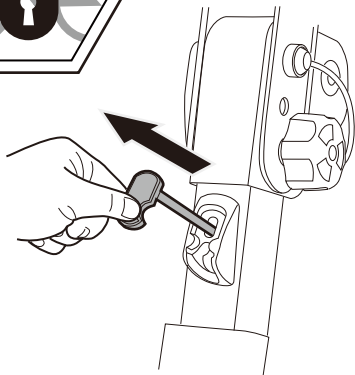
\*Not Included



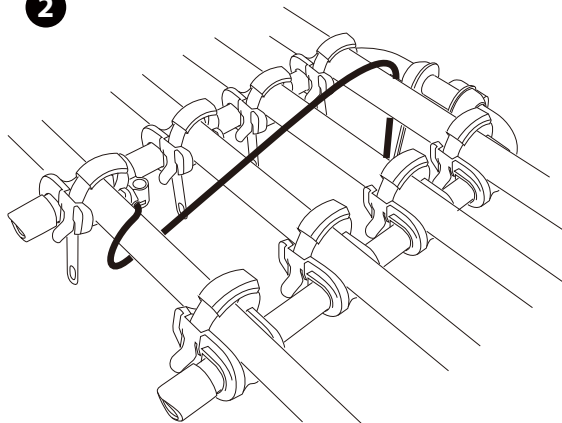




1



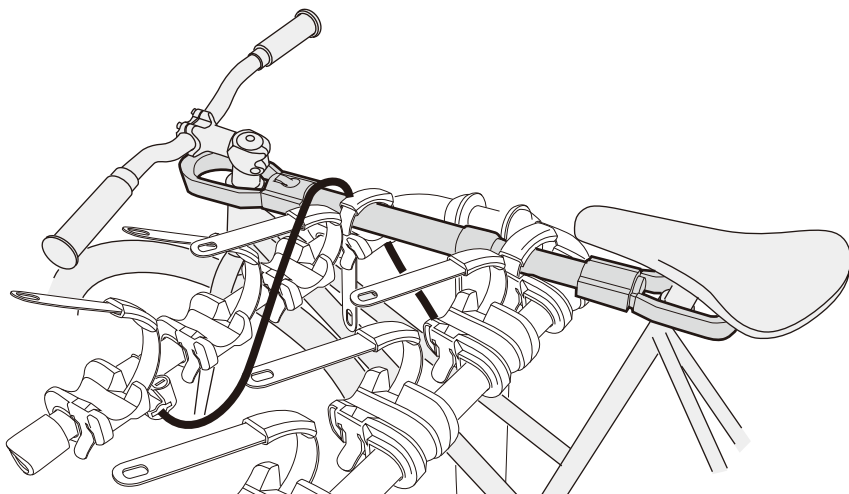
2



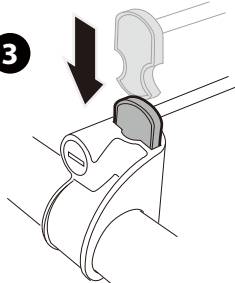
+



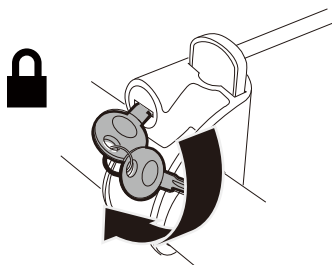
**BUZZGRIP**  
\*Not Included

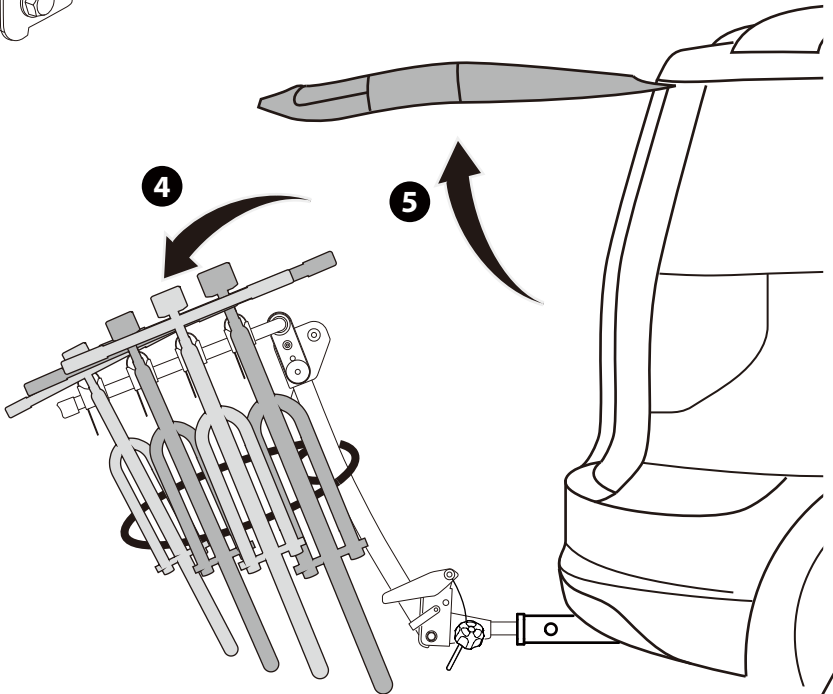
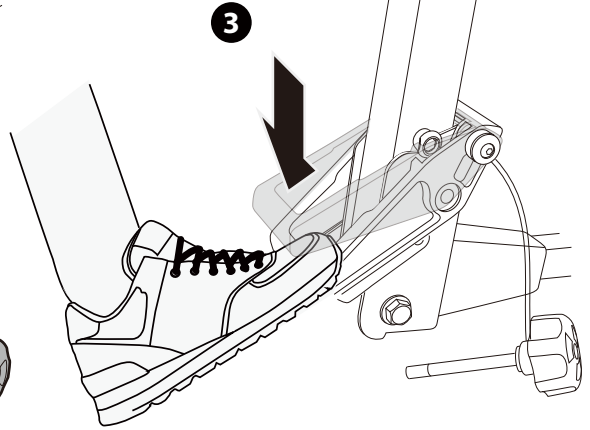
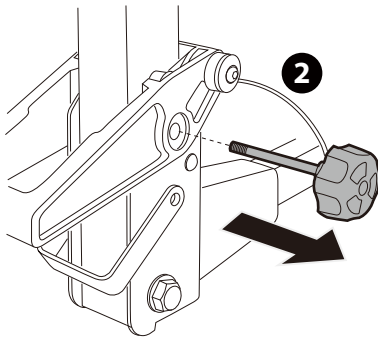
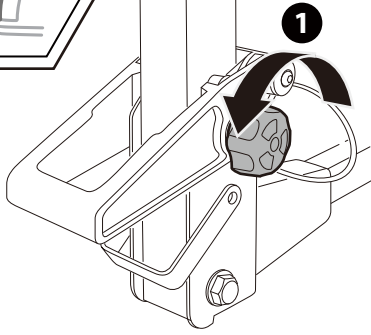


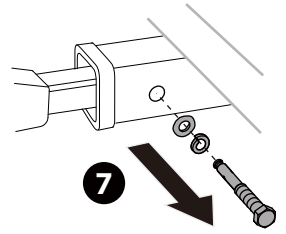
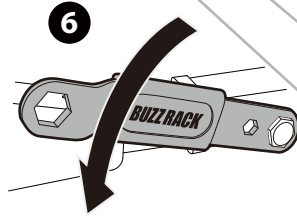
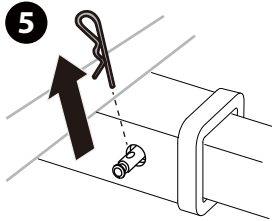
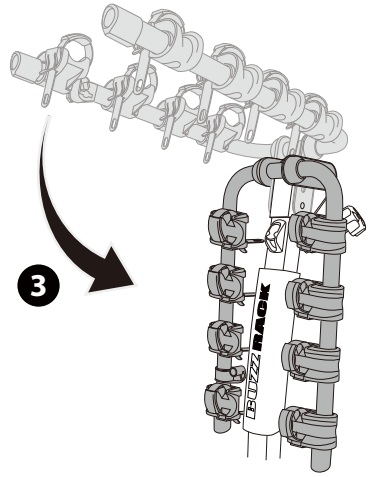
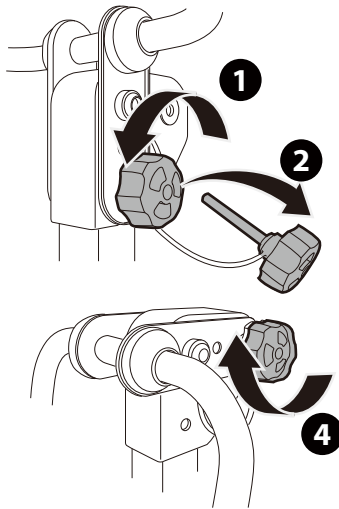
3



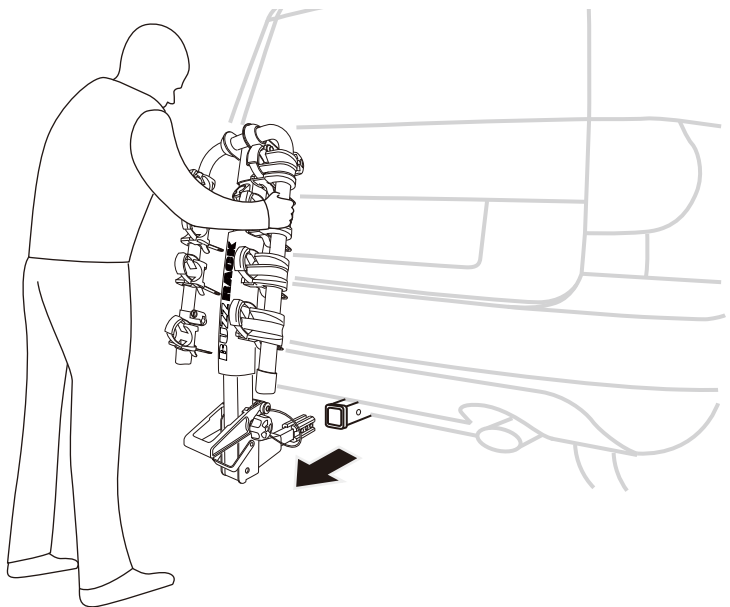
4







8





+

+

+

+

+

+

***BUZZ RACK***

[www.buzzrack.com](http://www.buzzrack.com)