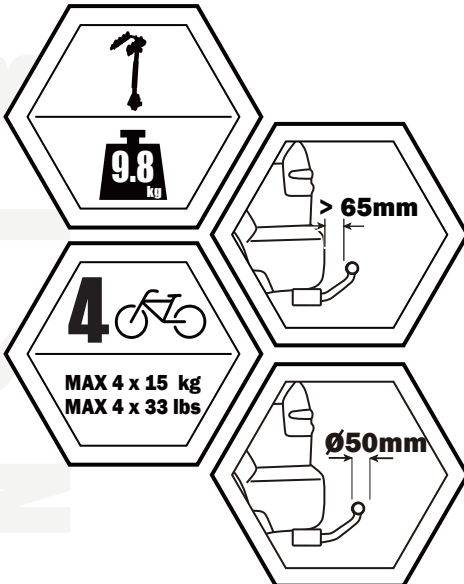
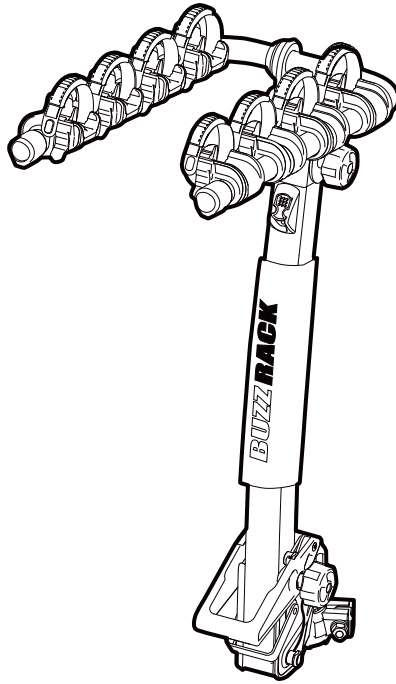


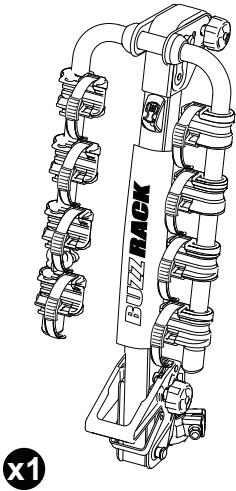
BUZZ RACK



Max	BUFFALO	
40 kg	9.8 kg	30.2 kg
50 kg		40.2 kg
65 kg		55.2 kg
>80 kg		MAX 70 kg

BUFFALO 4

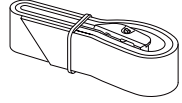
PART LIST



x1



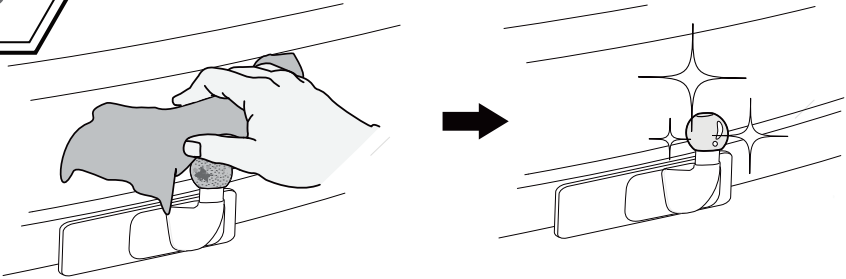
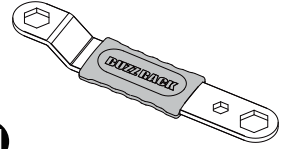
x2



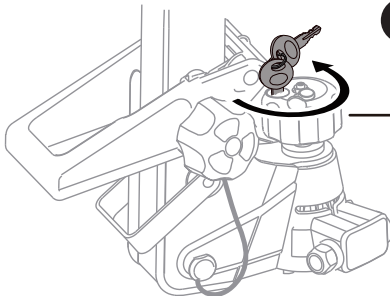
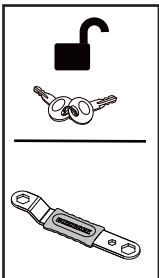
x1



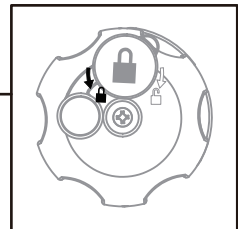
x1

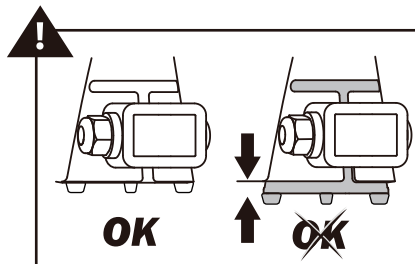
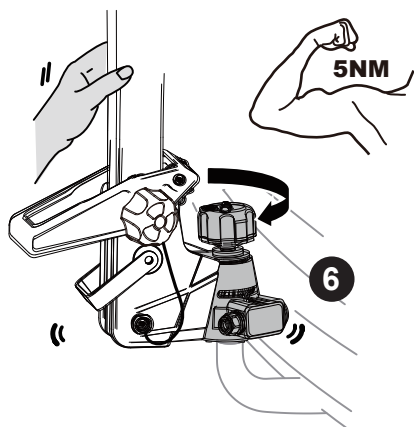
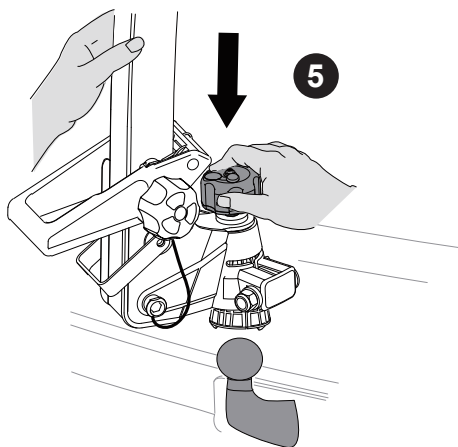
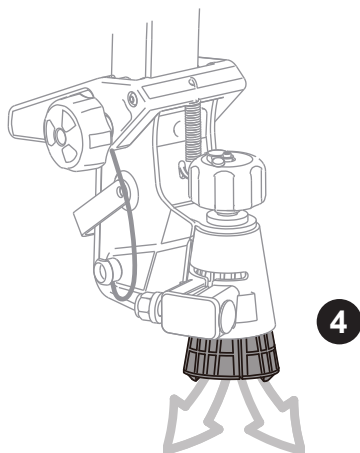
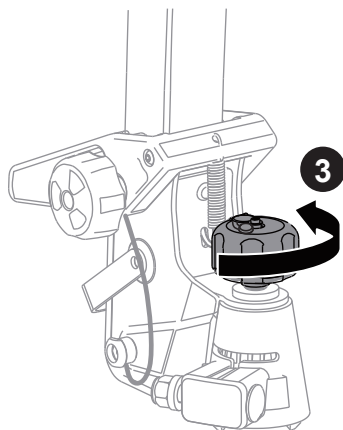
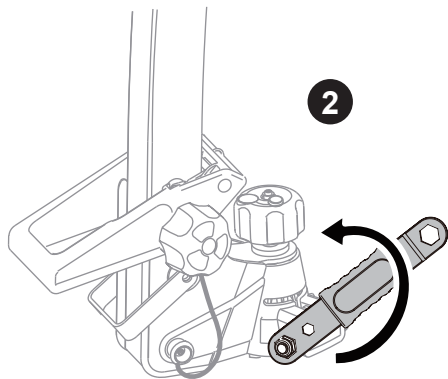


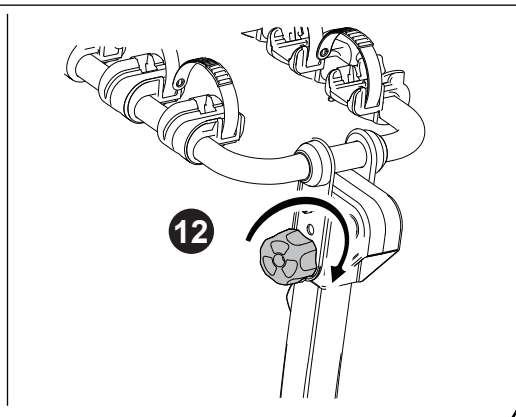
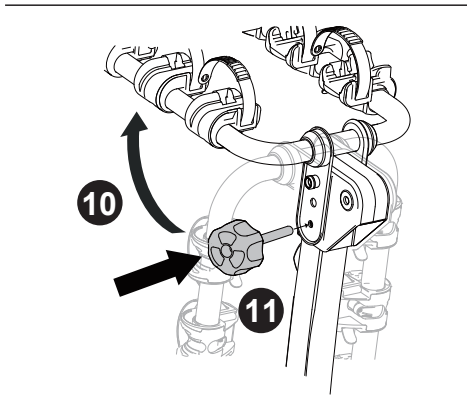
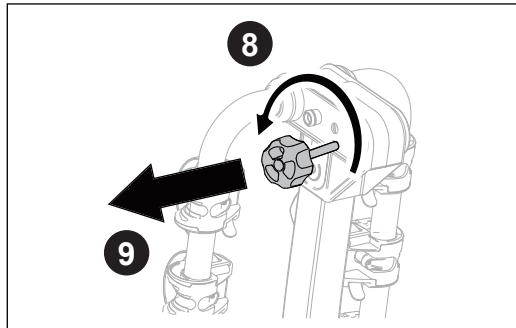
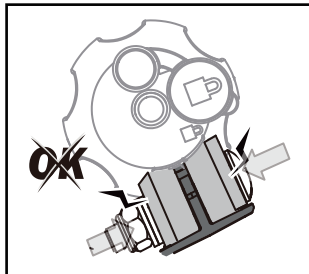
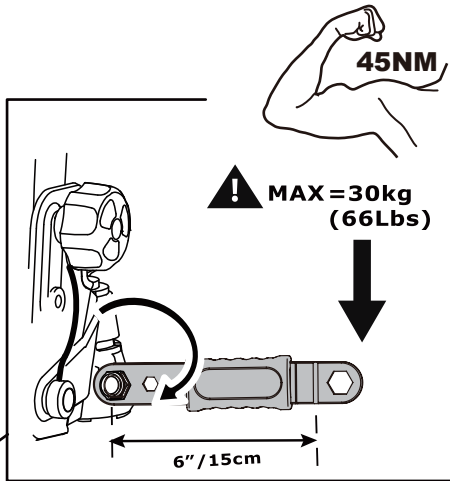
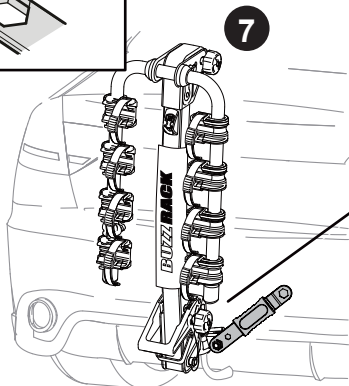
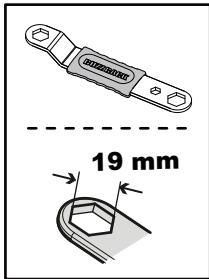
1



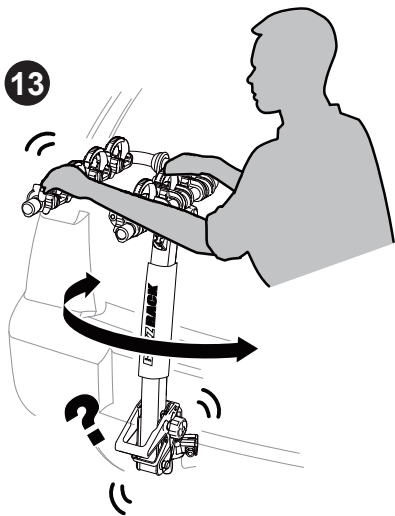
1



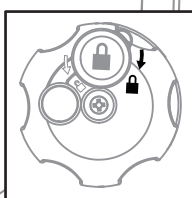
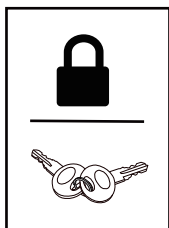
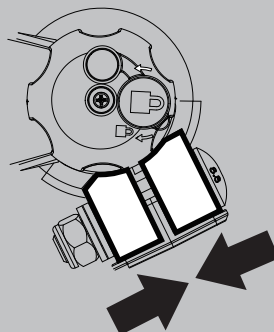
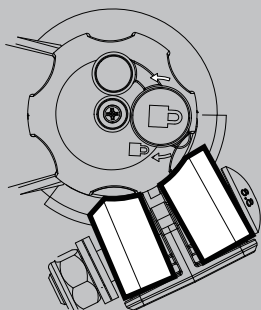
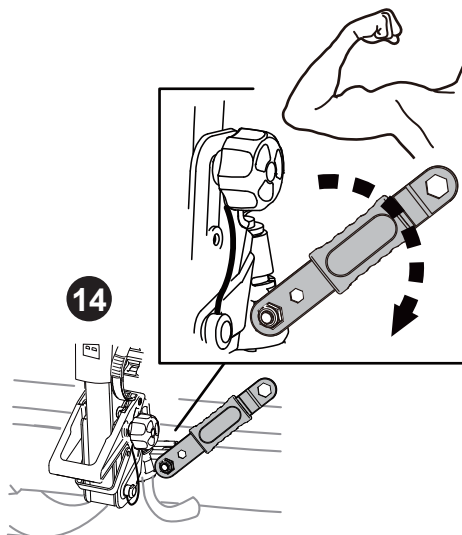




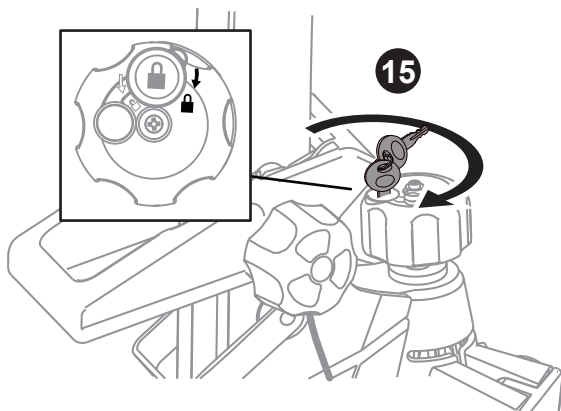
13

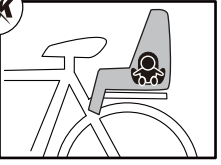
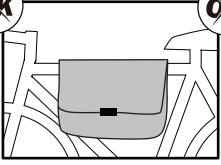
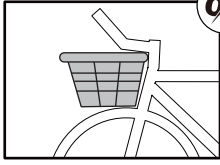
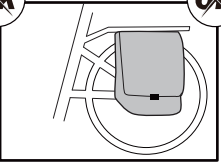
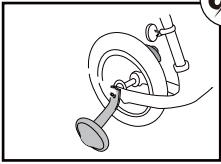


14

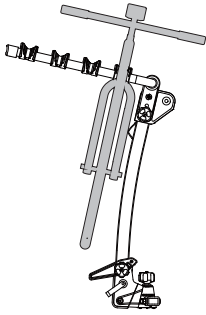


15

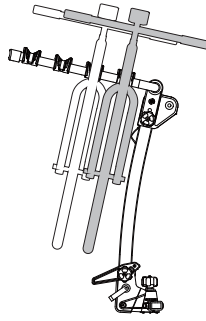




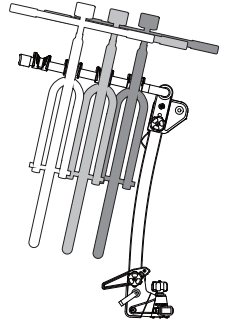
OK



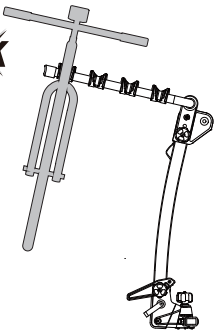
OK



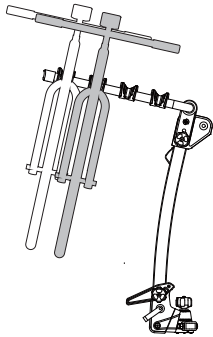
OK



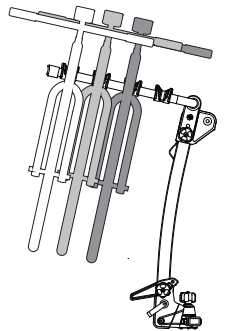
~~OK~~





~~OK~~





~~OK~~

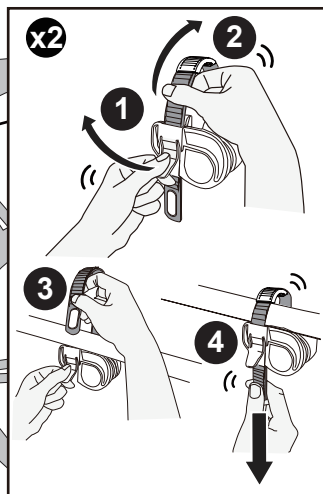
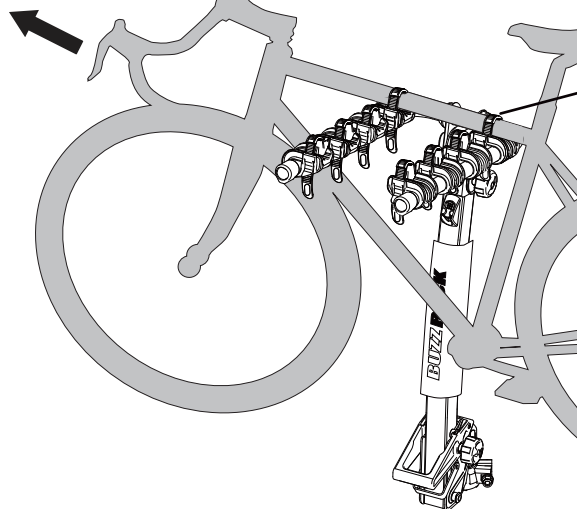
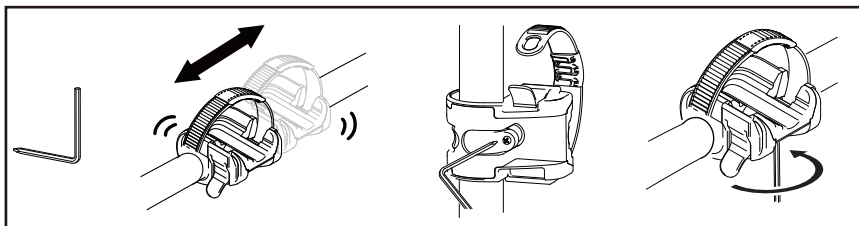
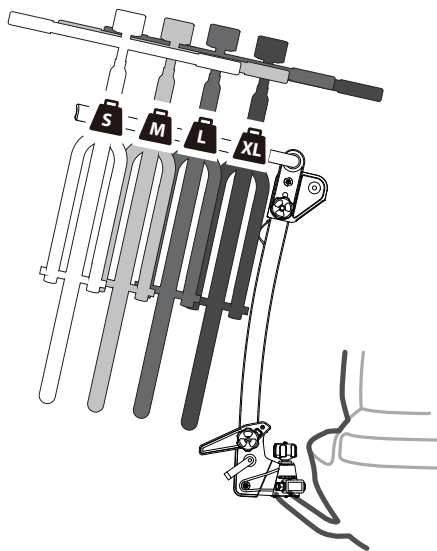


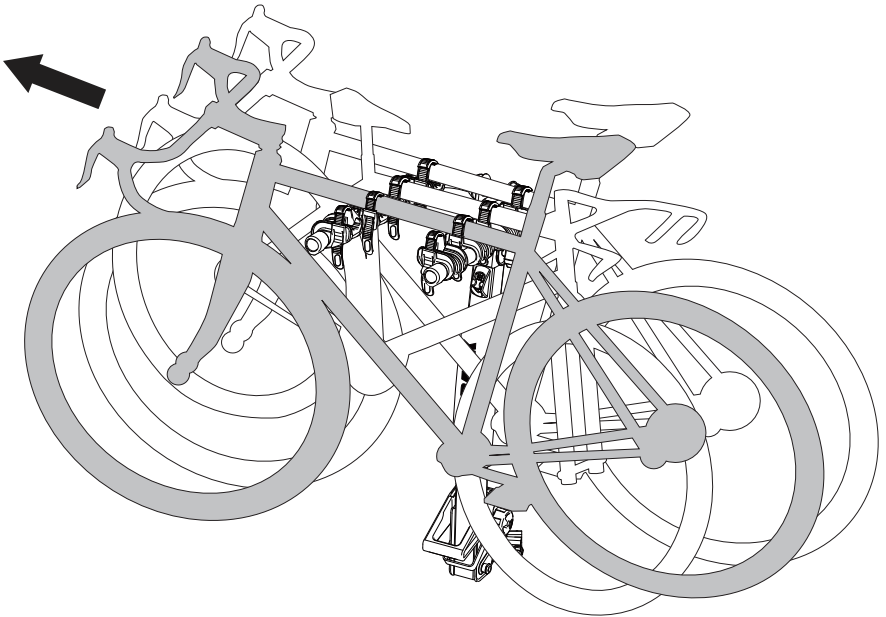
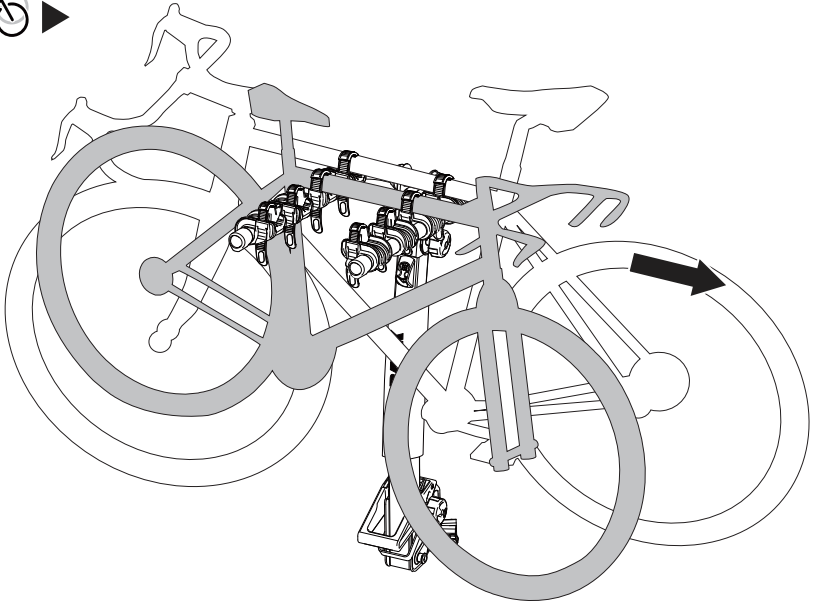
1  = 1x15kg MAX

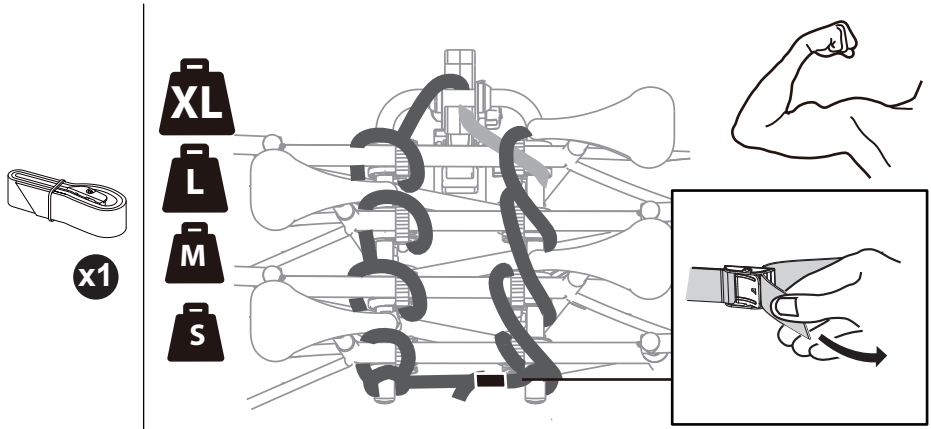
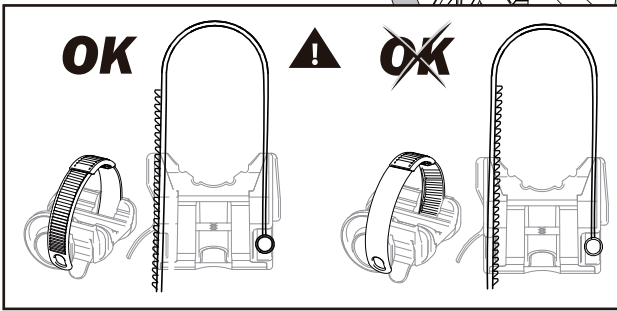
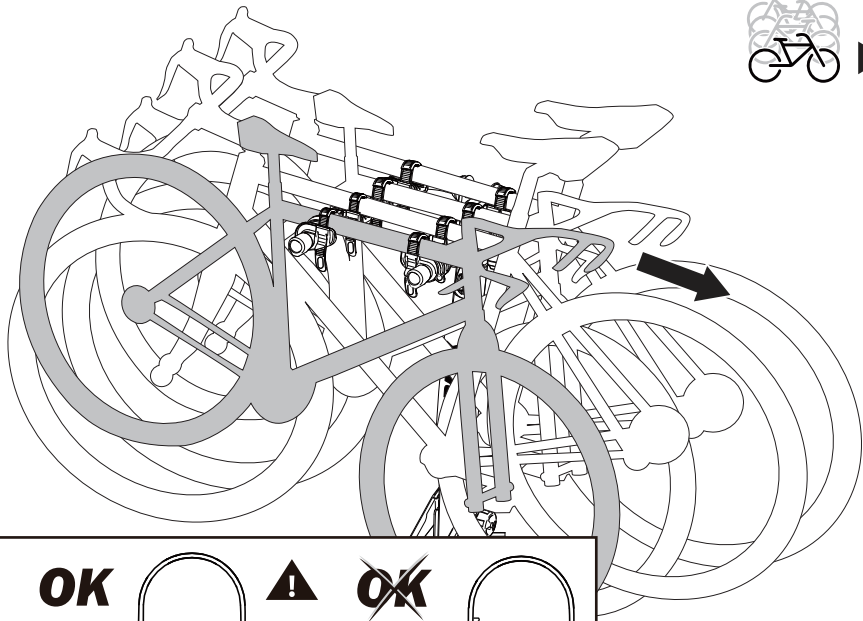
2  = 2x15kg MAX

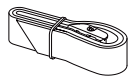
3  = 3x15kg MAX

4  = 4x15kg MAX

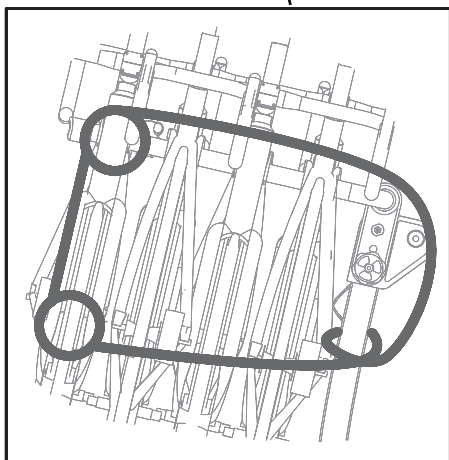
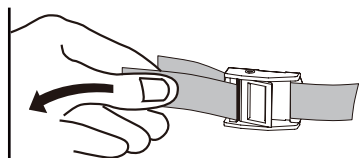
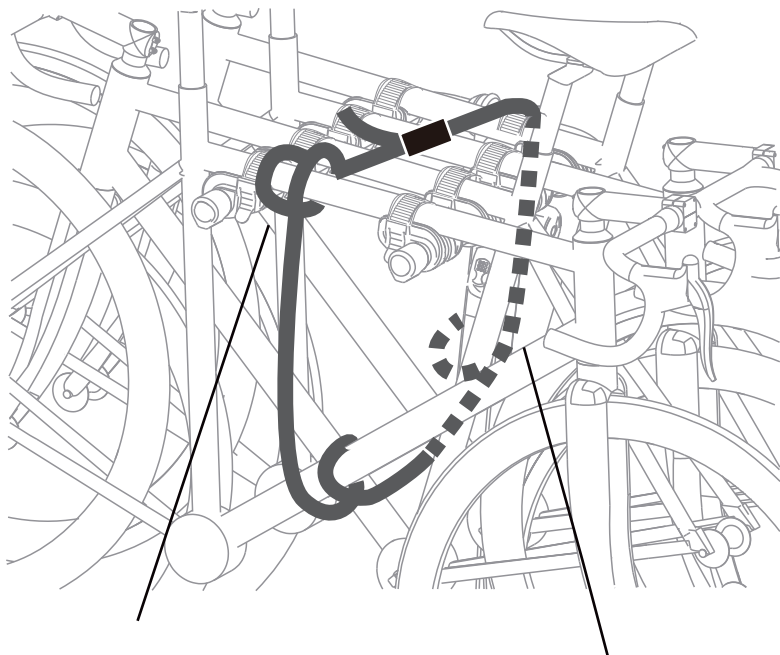






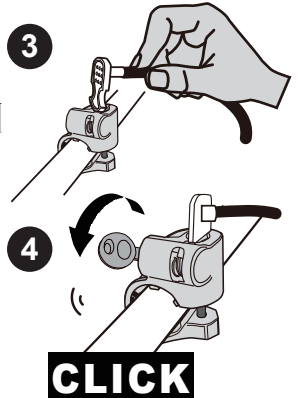
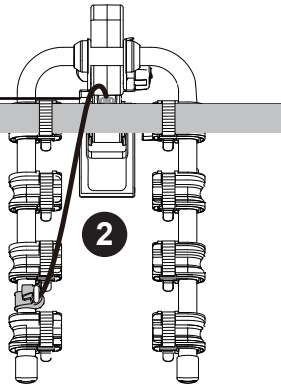
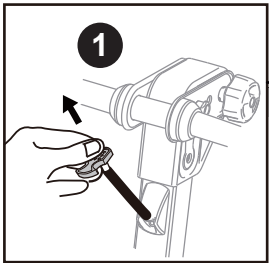
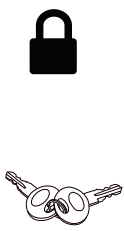


x1

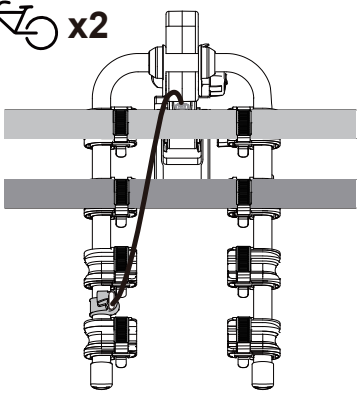




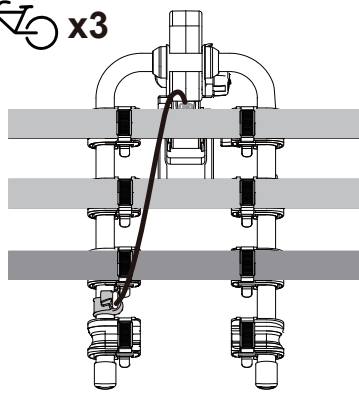
 x1




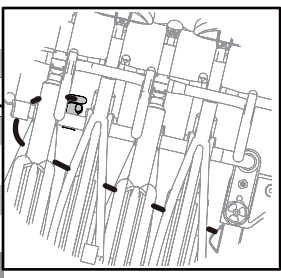
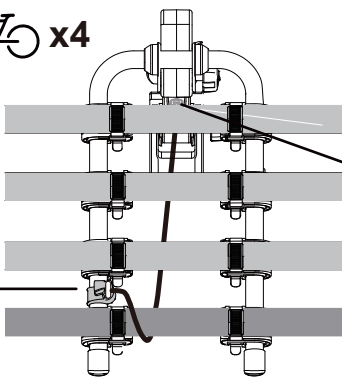
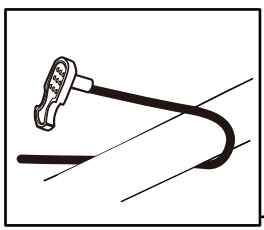
 x2

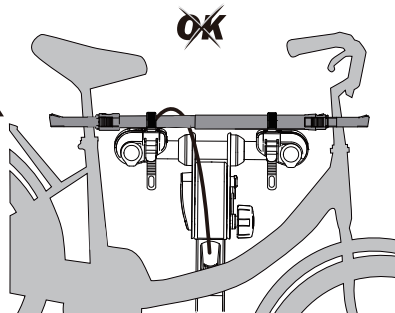
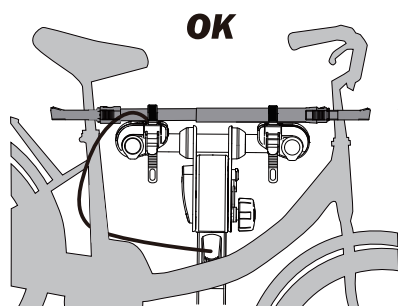
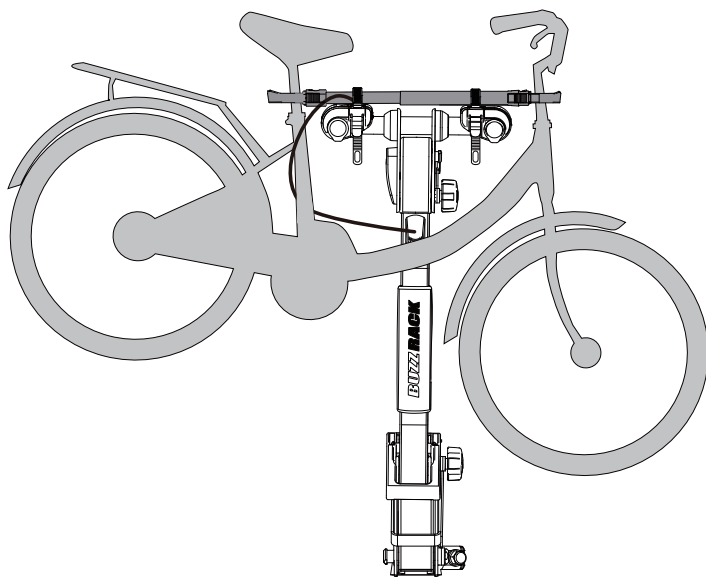
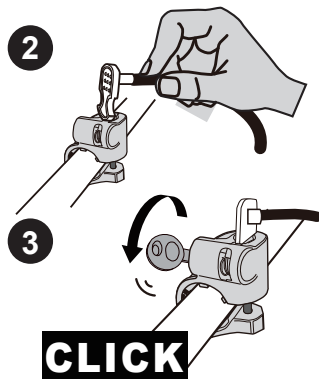
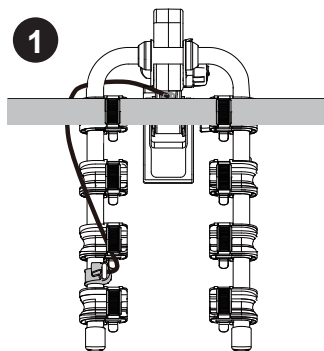
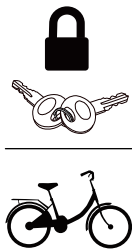


 x3

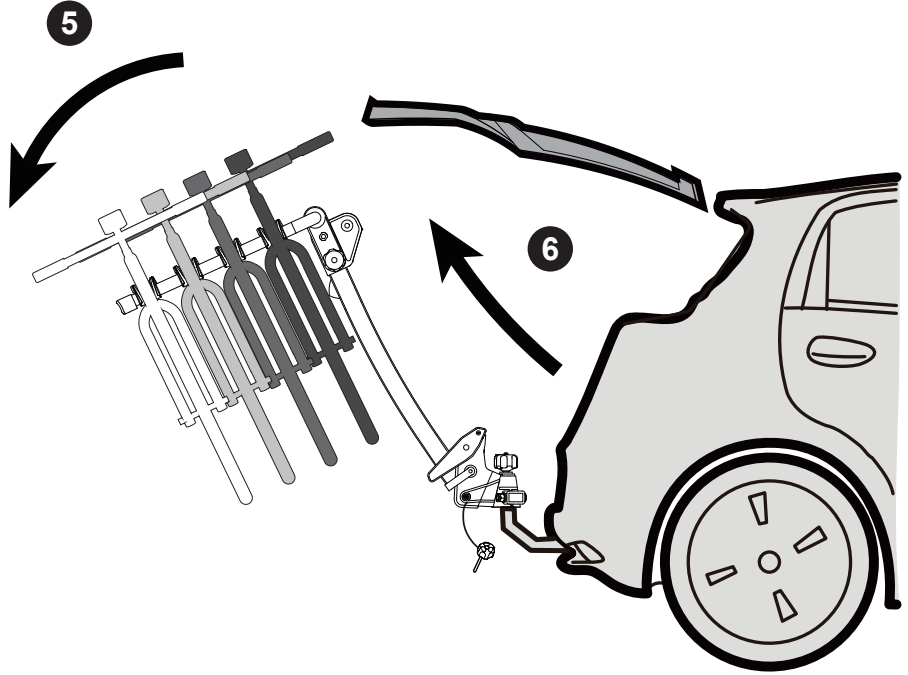
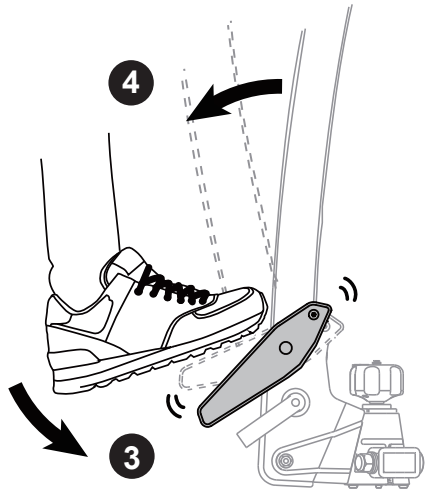
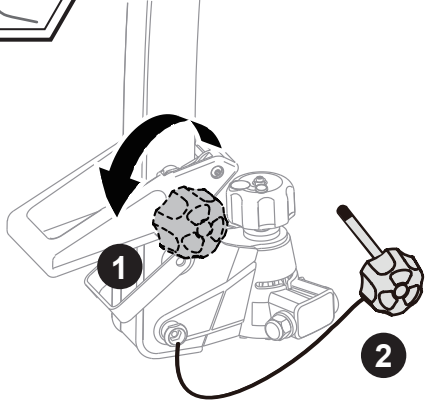


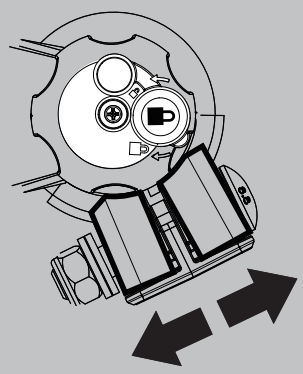
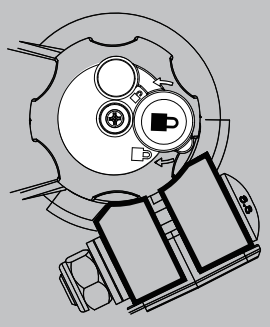
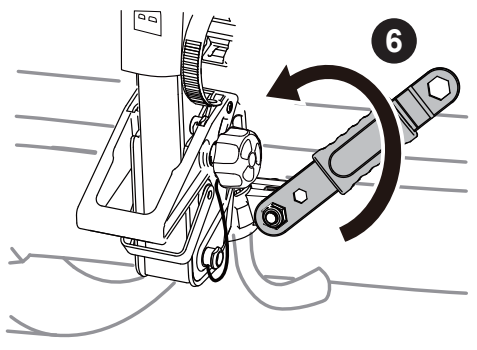
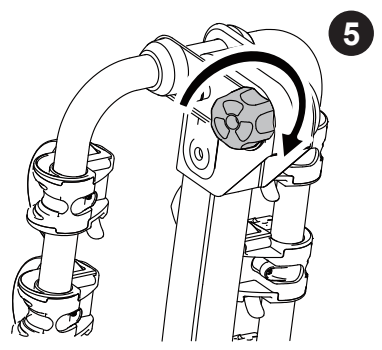
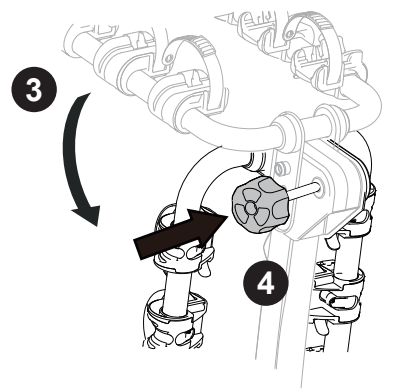
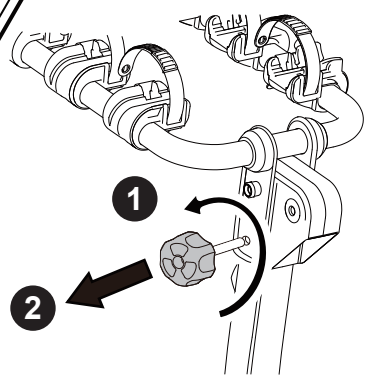
 x4

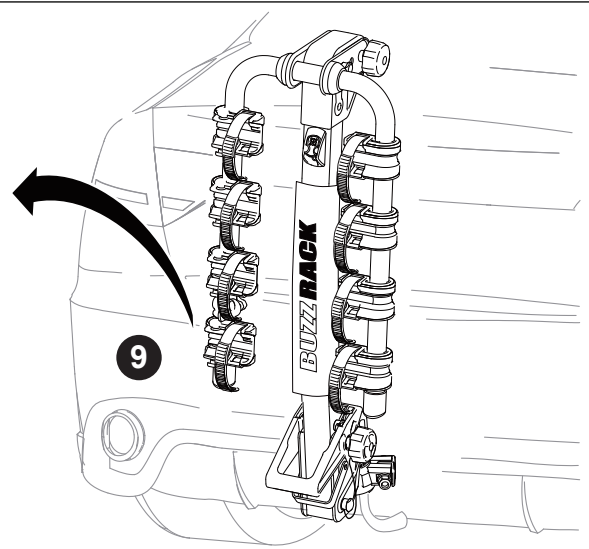
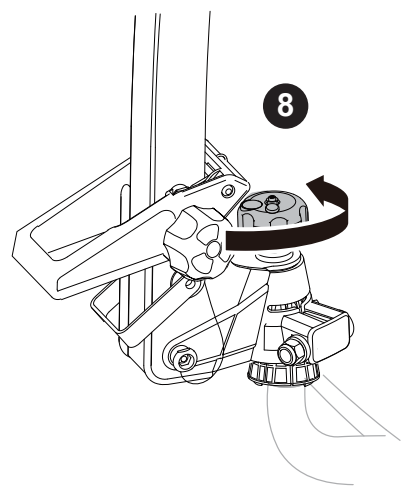
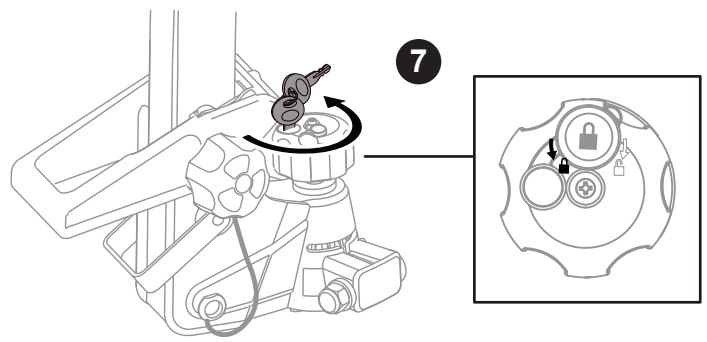
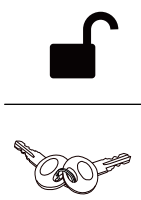




Adapter is not included









+

+

+

+

+

+

BUZZ RACK

www.buzzrack.com